

## Application

The 1270RBK Remote Blower Kit allows you to redistribute the convective heat generated by your fireplace to other areas of your home. Installation of this kit must be performed by a qualified technician.

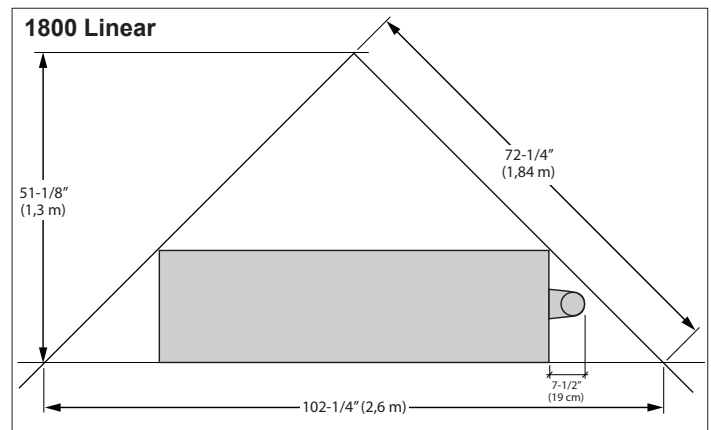
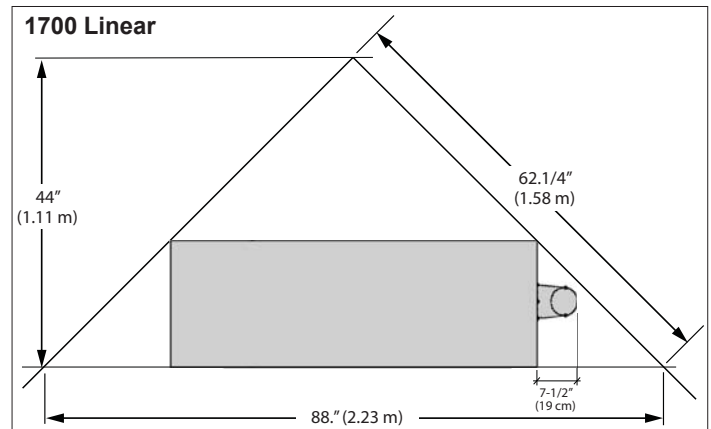
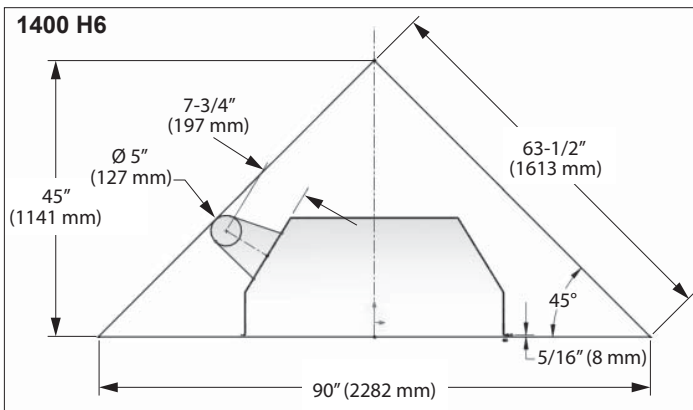
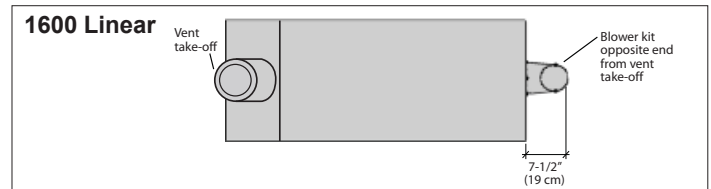
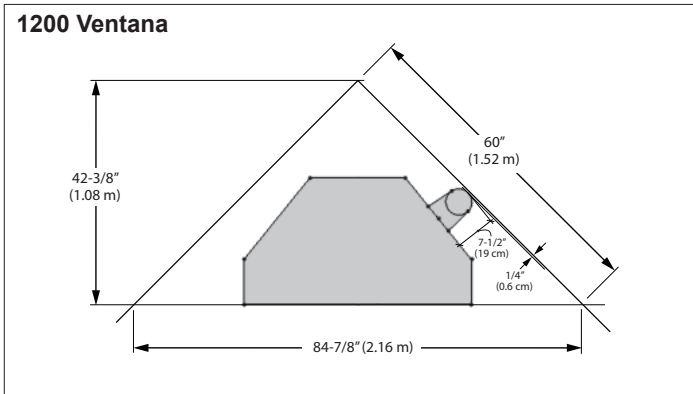
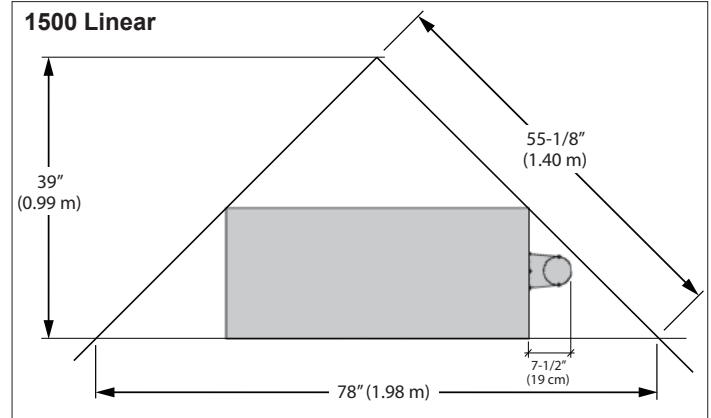
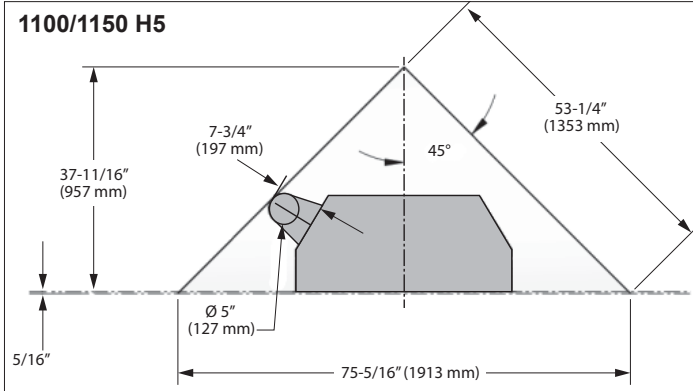
- Maximum two kits may be used when installing directly onto a single fireplace. One kit maximum when installing directly onto LDK1 or LDK4 Duct Kits. When using a 1270RBK connected directly onto a LDK1 or LDK4 Duct Kits **we do not recommend** having further 1270RBK kits connected directly to the heater.
- Blower assembly must be installed on interior walls or ceiling **only**. Installation in the floor is not recommended.
- Blower wheel **must** be installed in the **horizontal plane**. Do not install with blower axis mounted **vertically**.

- Amount of heat delivered depends on many factors such as:
  - Length, type, and location of pipe; (avoid running pipe through unheated areas—insulate pipe if doing so).
  - Number of elbows;
  - Elevation of blower relative to heater. Note: Using the remote blower will affect the heat output at the fireplace.

## Dimensions and Clearances

Clearance between air duct and combustible material: 1/4 inch for the first 2 feet and then, zero clearance beyond that.  
Minimum distance between the floor or ceiling and the air grille on the wall: 4 inches.

When installing on a unit in a corner, consider additional space for the duct.



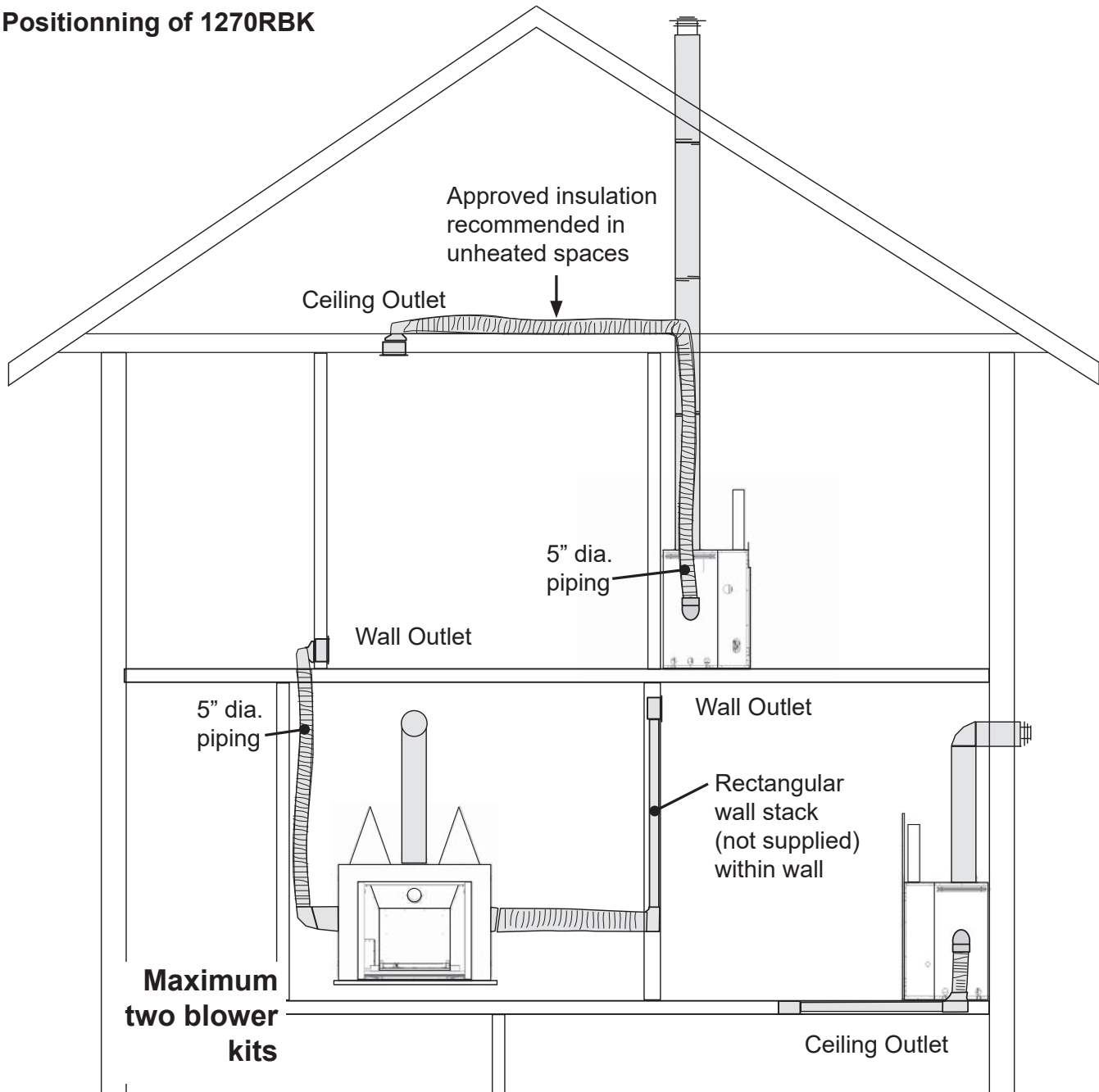
**Suggested Control Arrangements**

The blower is supplied without controls to allow the homeowner to customize the control and coordinate switch type/color/style using standard available electrical components.

The blower may be controlled using a simple on/off switch or variable speed control. A variable speed control is recommended to control air volume and noise.

Variable speed controls must be rated to control motors such as those used with ceiling fans. Three-way controls such as an on/off switch near the fireplace and a speed control near the remote blower may be desirable. Consult your electrical installer before installation.

**Positioning of 1270RBK**



**LDK Duct Kit with 1270RBK Remote Blower**

(with 1100J, 1150J, 1400J, 1500J, 1600J, 1700J and 1800J models ONLY)

Universal take-off supplied with 1270RBK kit.  
Can mount to either end of plenum.  
Maximum 1 x 1270RBK kit per plenum.  
Note: DO NOT CONNECT 1270RBK directly  
to fireplace when using LDK Duct Kit;  
connect to LDK plenum ONLY as this will  
ensure cooler wall temperature whether or  
not the 1270 fan is running.

